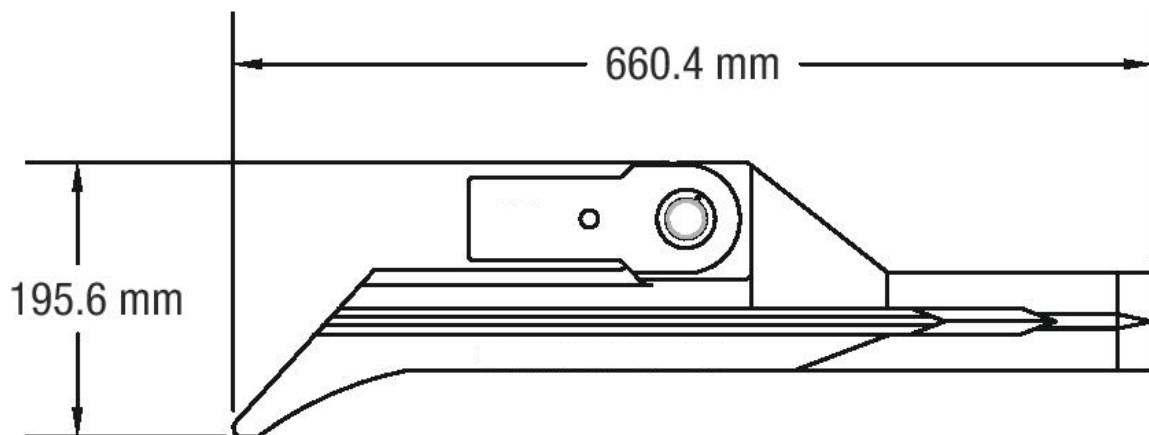
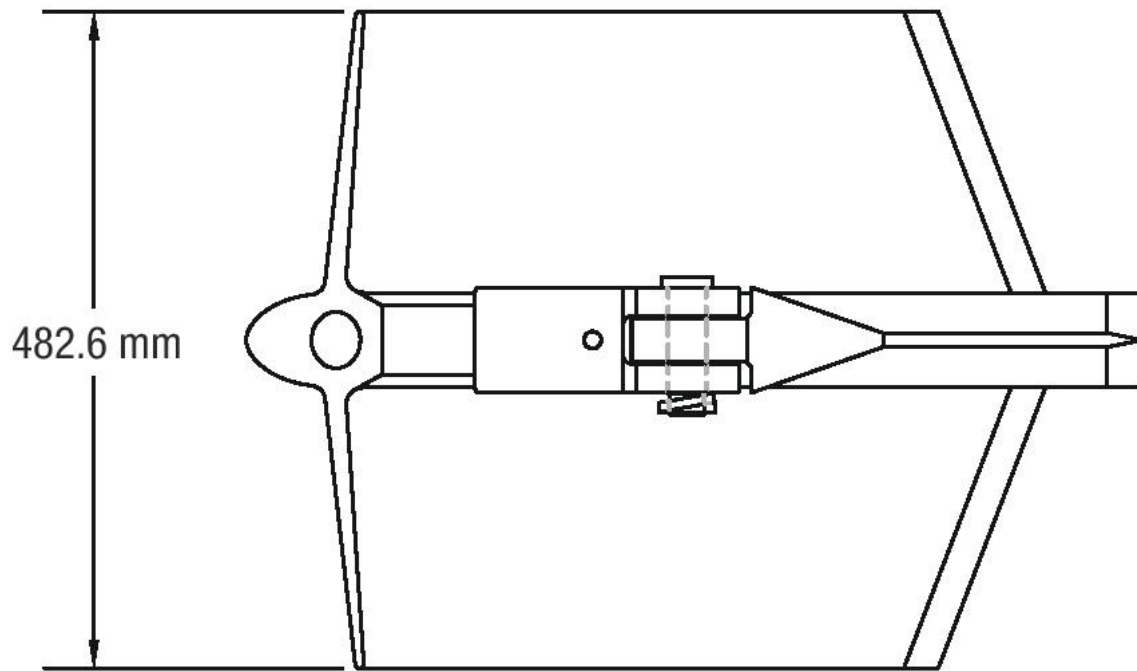


JLD 4.4

Type	Width	Length	Height	Surface	Fraction strength	Yield strength
[-]	[mm]	[mm]	[mm]	[mm ²]	[kN]	[kN]
JLD 4.4	480	660	195	238.312	550	413



Anchor Material	Ductile Iron
Finish	Specification Hot Dipped Galvanized ASTM A-123 or BS729
Anchor Rods	Gewi 25T - 35TR