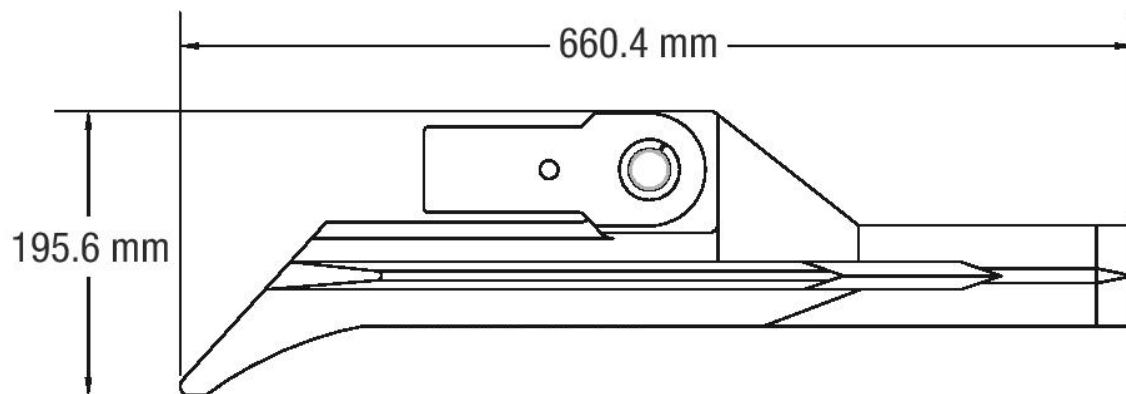
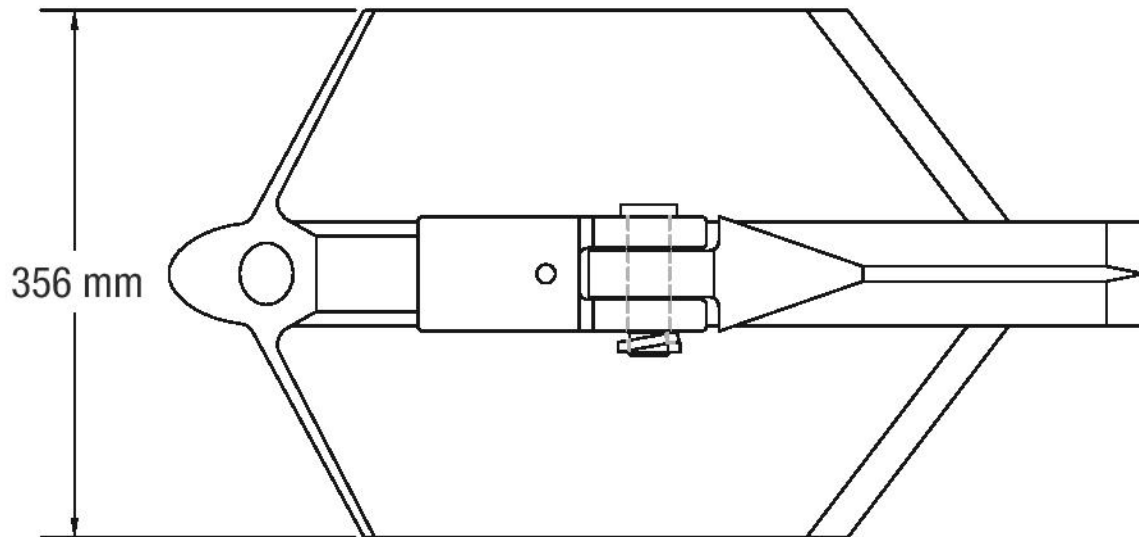


# JLD 4.2

Type	Width	Length	Height	Surface	Fraction strength	Yield strength
[-]	[mm]	[mm]	[mm]	[mm <sup>2</sup> ]	[kN]	[kN]
JLD 4.2	356	660	195	189.930	550	413



Anchor Material	Ductile Iron
Finish	Specification Hot Dipped Galvanized ASTM A-123 or BS729
Anchor Rods	Gewi 25T - 35TR