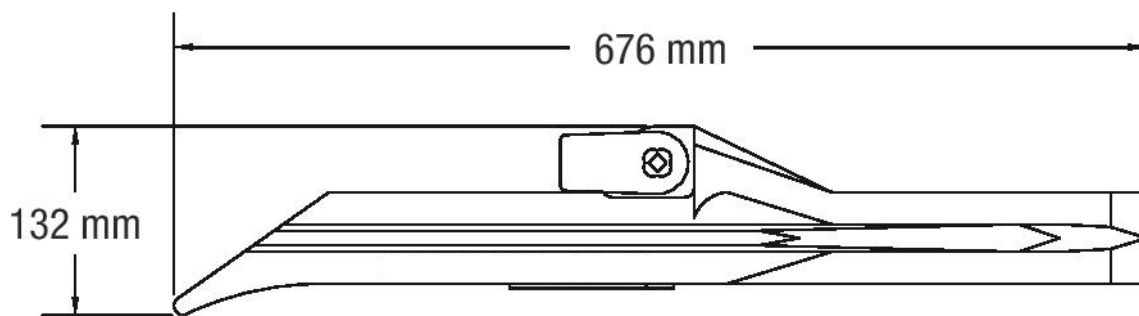
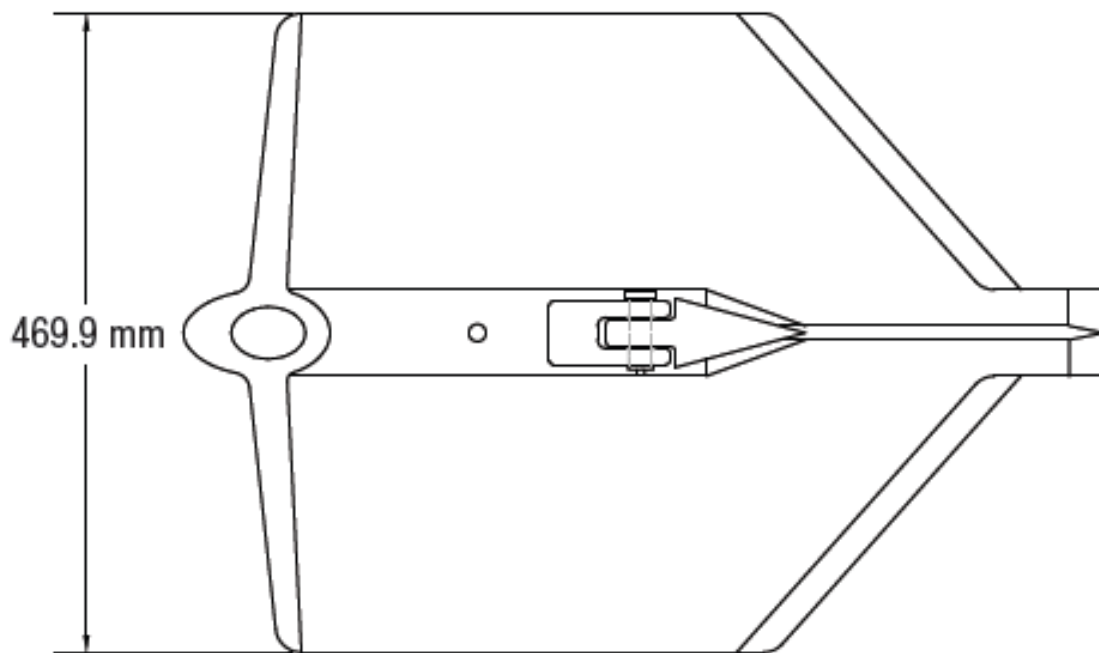


JLD 2.8

Type	Width	Length	Height	Surface	Fraction strength	Yield strength
[-]	[mm]	[mm]	[mm]	[mm ²]	[kN]	[kN]
JLD 2.8	470	676	132	231.878	220	165



Anchor Material	Ductile Iron
Finish	Specification Hot Dipped Galvanized ASTM A-123 or BS729
Anchor Rods	M16 to M24 & Gewi 16T - 25T