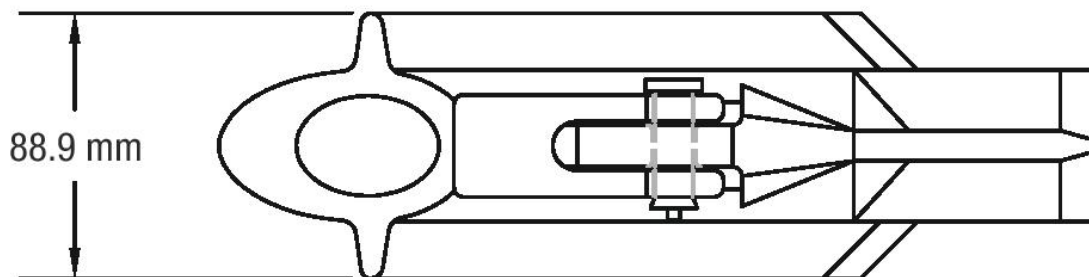
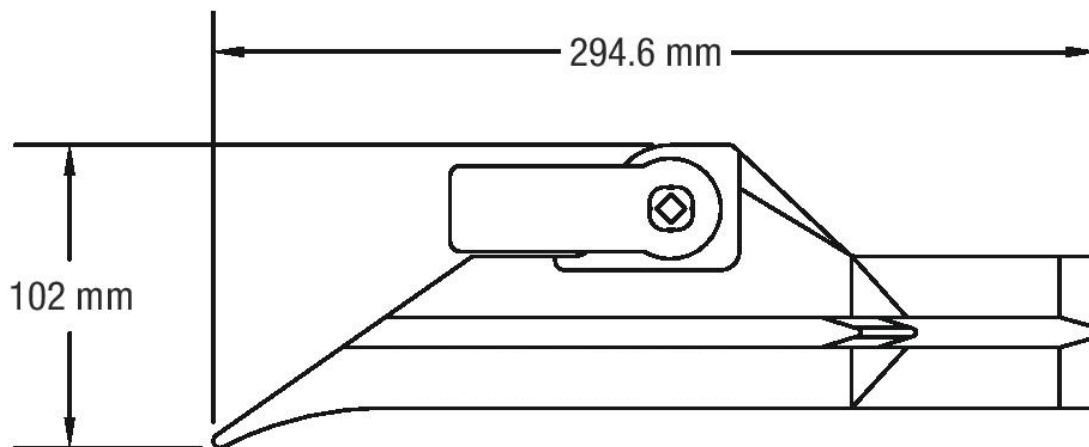


JLD 1.4

Type	Width	Length	Height	Surface	Fraction strength	Yield strength
[-]	[mm]	[mm]	[mm]	[mm ²]	[kN]	[kN]
JLD 1.4	88,9	294,6	102,0	21.932	120,0	92,3



Anchor Material	Ductile Iron
Finish	Hot Dipped Galvanized ASTM A-123 or BS729
Anchor Rods	M16 & Gewi 16T