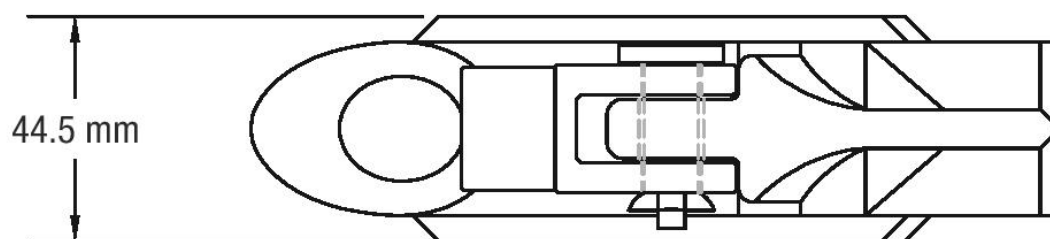
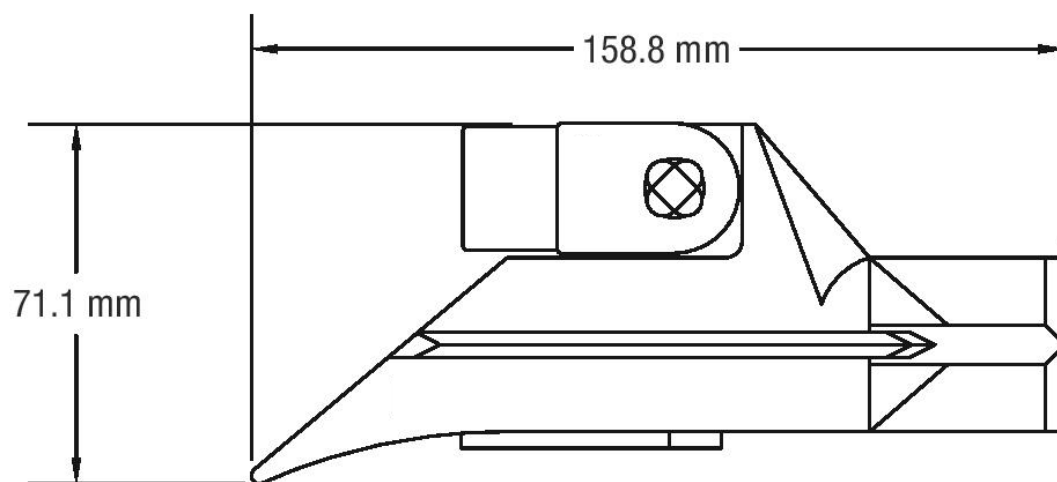


JLD 1.2

Type	Width	Length	Height	Surface	Fraction strength	Yield strength
[-]	[mm]	[mm]	[mm]	[mm ²]	[kN]	[kN]
JLD 1.2	44,5	158,8	71,1	6.500	45,0	34,6



Anchor Material	Ductile Iron
Finish	Specification Hot Dipped Galvanized
Anchor Rods	M12