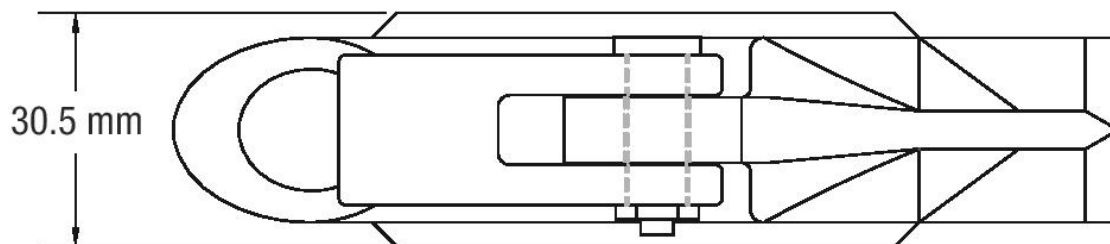
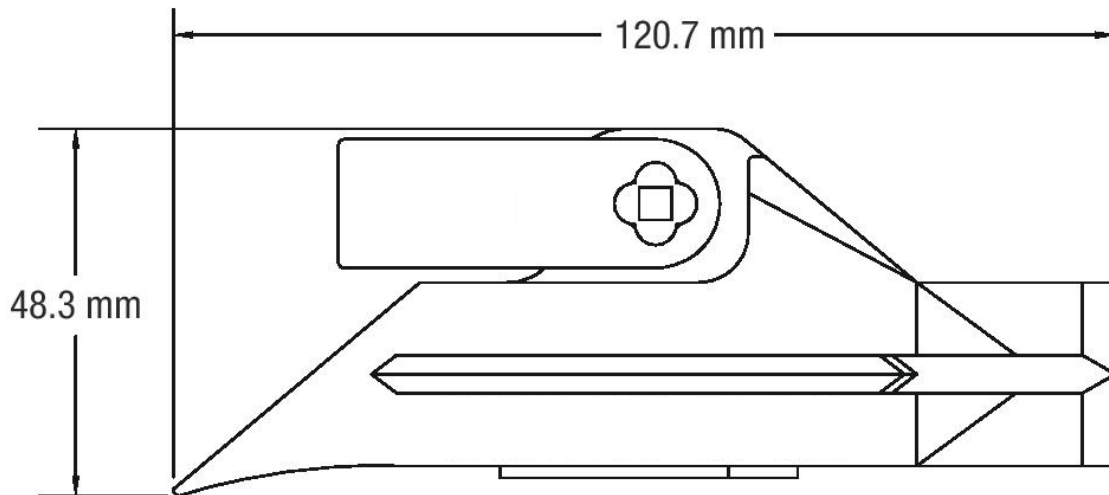


JLD 1.0

type	Width	Length	Height	Surface	Fraction strength	Yield strength
[-]	[mm]	[mm]	[mm]	[mm ²]	[kN]	[kN]
JLD 1.0	31	121	48,3	3.097	22,0	17



Anchor Material	Ductile Iron
Finish	Hot Dipped Galvanized ASTM A-123 or BS729
Anchor Rods	M10